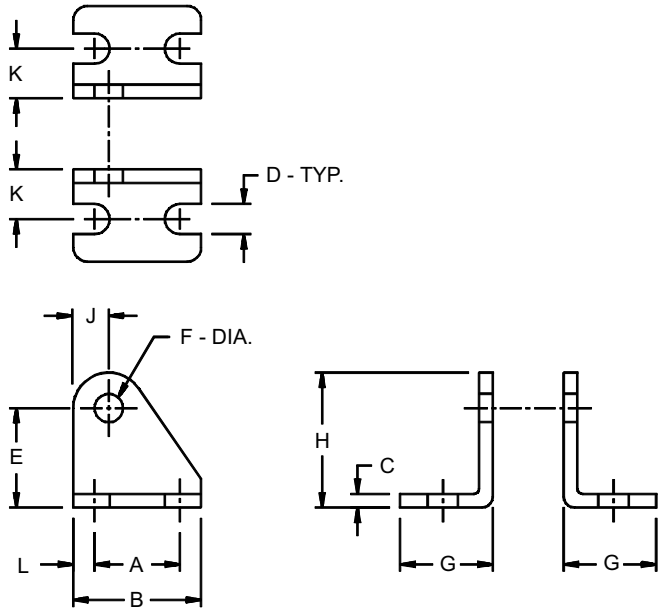


MFC Pivot Brackets

Stainless Body Series

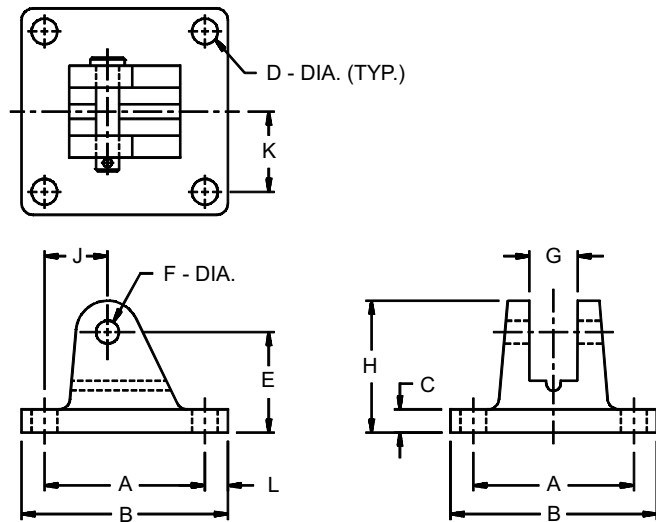


Pivot Bracket

| Bore | Pivot Bkt. No. | Dimension | | | | | | | | | | |
|---------|----------------|-----------|------|-----|-----|------|-----|------|------|-----|-----|-----|
| | | A | B | C | D | E | F | G | H | J | K | L |
| 9/16" | M13S | .50 | .75 | .06 | .18 | .56 | .15 | .50 | .77 | .20 | .28 | .12 |
| 3/4" | M23S | .75 | 1.12 | .12 | .26 | .87 | .25 | .81 | 1.18 | .31 | .43 | .18 |
| 1 1/16" | M23S | .75 | 1.12 | .12 | .26 | .87 | .25 | .81 | 1.18 | .31 | .43 | .18 |
| 1 1/4" | M23S | .75 | 1.12 | .12 | .26 | .87 | .25 | .81 | 1.18 | .31 | .43 | .18 |
| 1 1/2" | M63S | 1.00 | 1.50 | .12 | .26 | 1.37 | .37 | 1.00 | 1.75 | .37 | .62 | .25 |
| 1 3/4" | M73SP | 1.00 | 1.50 | .25 | .34 | 1.37 | .37 | 1.12 | 1.75 | .37 | .68 | .25 |
| 2" | M93 | 1.00 | 1.50 | .25 | .34 | 1.37 | .37 | 1.12 | 1.75 | .37 | .68 | .25 |
| 2 1/2" | M93 | 1.00 | 1.50 | .25 | .34 | 1.37 | .37 | 1.12 | 1.75 | .37 | .68 | .25 |

- Notes:
- Add the letter "P" to Bracket No. to include Pivot Pin for use with cylinders having (-2) Pivot Bushing Option (ex. M23SP).
 - Pivot Pin always included with M73SP and M93 Pivot Bracket.

Aluminum Body Series



Pivot Bracket

| Bore | Pivot Bkt. No. | Dimension | | | | | | | | | | |
|--------|----------------|--|------|-----|-----|------|-----|-----|------|-----|------|-----|
| | | A | B | C | D | E | F | G | H | J | K | L |
| 1 1/8" | M43 | 1.75 | 2.25 | .25 | .28 | 1.09 | .25 | .50 | 1.43 | .68 | .87 | .25 |
| 1 1/2" | M63 | 2.25 | 3.00 | .31 | .28 | 1.62 | .31 | .75 | 2.12 | .87 | 1.12 | .37 |
| 2" | M83 | 2.25 | 3.00 | .31 | .28 | 1.62 | .31 | .75 | 2.12 | .87 | 1.12 | .37 |
| 2 1/2" | M93 | Listed in Stainless Body Series above. | | | | | | | | | | |

Note: Pivot pin included with each Aluminum Body Series pivot bracket ordered.